

KLEIN

Telescopic doors



EXTENDO®

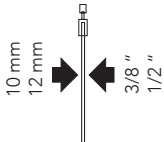
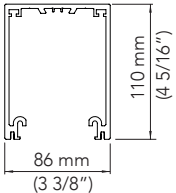
Synchronized Glass Doors
Puertas Correderas Sincrónicas



EXTENDO®



EXTENDO®





ENG

Extendo® has been designed to separate rooms using a system of telescopic, synchronous glass panels to provide increased clearance with the minimal door parking space.

- Ideal for partitioning offices, conference rooms, hospitality suites, etc.
- An innovative system for contemporary projects to open spaces up to 16'-8".
- Synchronized opening system of 2, 3 or 4 doors.
- Cleared passageway with no floor profile.
- Fast and intuitive assembly:
 - Unification of model. Same references for right side and left side door opening.
 - Door secured by pressure clamps; no need for mechanized glass (tempered or laminated glass).
- Mounted and tensed transmission system.
- Silver and Black anodized aluminum profiles.
- Holds 3/8" or 1/2" glass.
- Ball bearing system for smooth opening.
- Wall, ceiling and dropped ceiling mounted.
- Compatible with swing door KIT with Self Closing.
- Five-year KLEIN® warranty

Systems tested up to 100.000 cycles as per European standard EN1527.

ESP

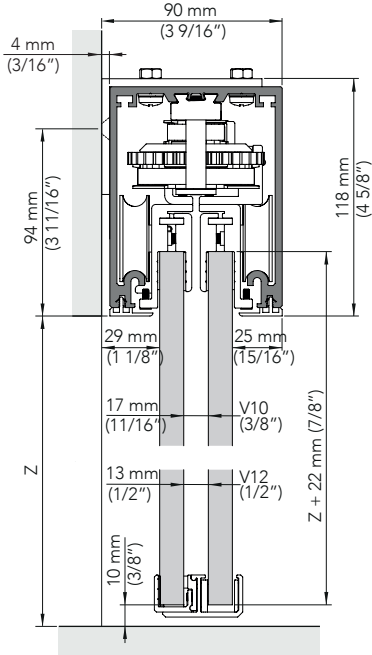
Extendo®: Sistema de puertas telescópicas y sincrónicas que permite una luz de paso de hasta 16'-8" con una zona de aparcamiento muy reducida.

- Ideal para particiones en oficinas, salas de conferencia, habitaciones de hotel, etc.
- Apertura sincronizada de 2, 3 o 4 puertas.
- Sistema compacto para un diseño minimalista.
- Zona de paso limpia sin riel en el suelo.
- Montaje rápido e intuitivo:
 - Unificación de modelo. Mismas referencias para apertura de la puerta del lado derecho e izquierdo.
 - Sujeción de la puerta mediante mordazas a presión sin mecanización del cristal.
- Sistema de transmisión pre montado y pretensado.
- Perfil de aluminio anodizado Silver y Negro.
- Vidrio de 3/8" mm o 1/2".
- Rodamientos de bolas para apertura suave.
- Instalación a pared, a techo, o falso techo.
- Compatible con el KIT de puerta batiente con Self Closing.
- Garantía KLEIN® 5 años.

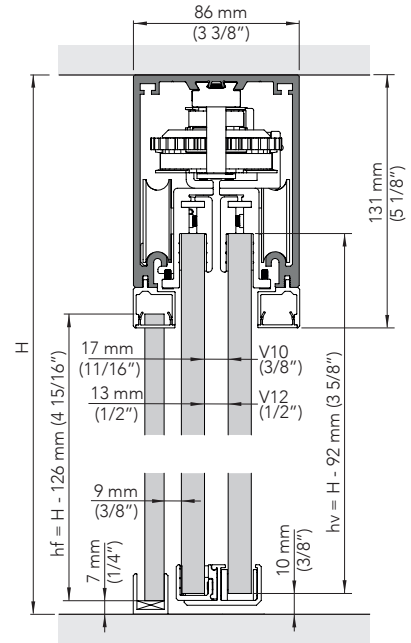
Sistemas testados hasta 100.000 ciclos según la norma EN1527.

EXPOSED/ VISTO

Wall installation without fixed glass/
Instalación a pared sin vidrio fijo

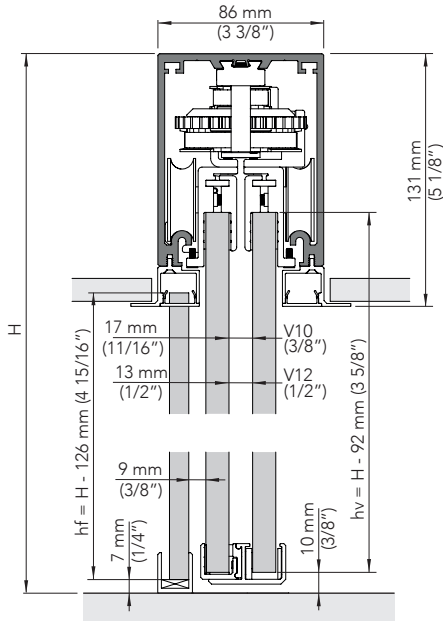


Wall installation with fixed glass/
Instalación a techo con vidrio fijo



RECESSED/ EMPOTRADO

False ceiling installation with fixed glass/
Instalación a falso techo con vidrio fijo



$h_v \leq 3.000 \text{ mm} / 118''$

Dimensions that are in mm are exact; those in inches are approximate.

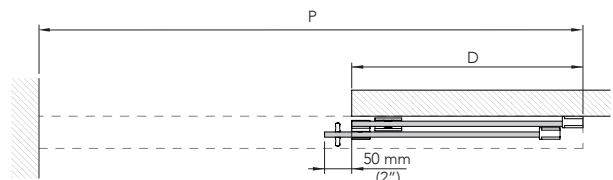
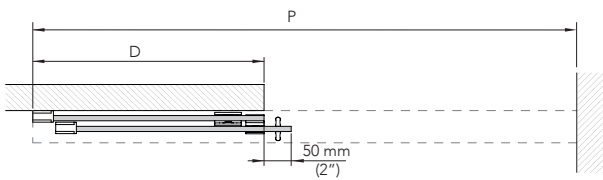
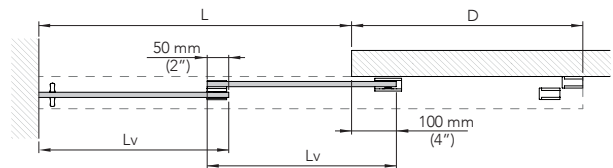
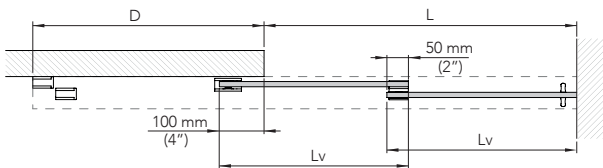
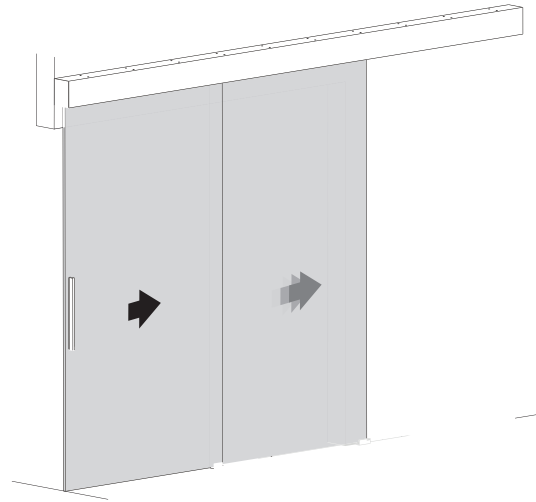
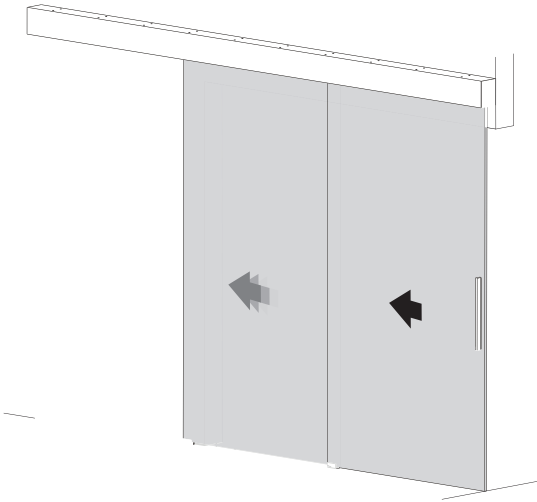
EXTENDO 2 DOORS WITHOUT FIXED GLASS/ EXTENDO 2 HOJAS SIN VIDRIO FIJO



**LEFT INSTALLATION/
INSTALACIÓN A IZQUIERDAS**



**RIGHT INSTALLATION/
INSTALACIÓN A DERECHA**



$P = L + D$

$L = \frac{2}{3} P - 85 \text{ mm (3 3/8")}$

$D = \frac{L}{2} + 125 \text{ mm (4 15/16")}$

$L_v = \frac{L}{2} + 75 \text{ mm (2 15/16")}$

G	L	P
G1	1.300 - 1.550 mm / 51 1/4" - 61"	2.500 mm / 98"
G2	1.550 - 1.900 mm / 61" - 74 3/4"	3.000 mm / 118"
G3	1.900 - 2.200 mm / 74 3/4" - 86 5/8"	3.500 mm / 137"
G4	2.200 - 2.550 mm / 86 5/8" - 100 3/8"	4.000 mm / 157"

Dimensions that are in mm are exact; those in inches are approximate.

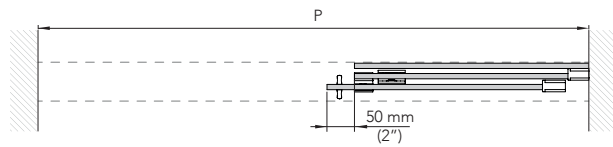
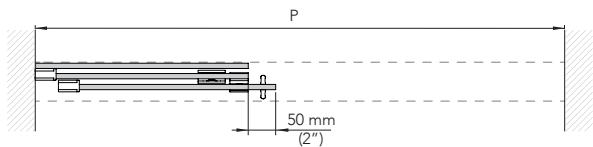
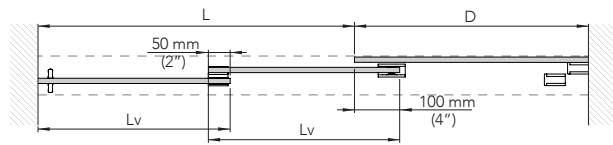
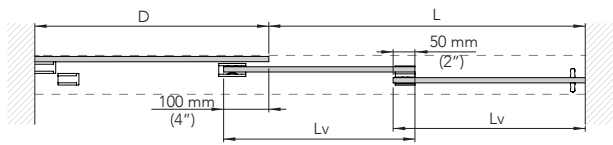
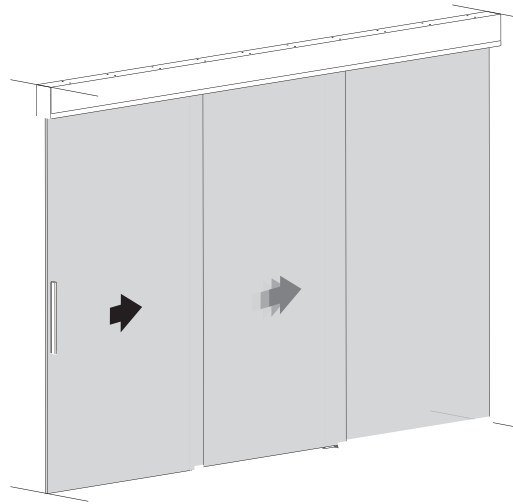
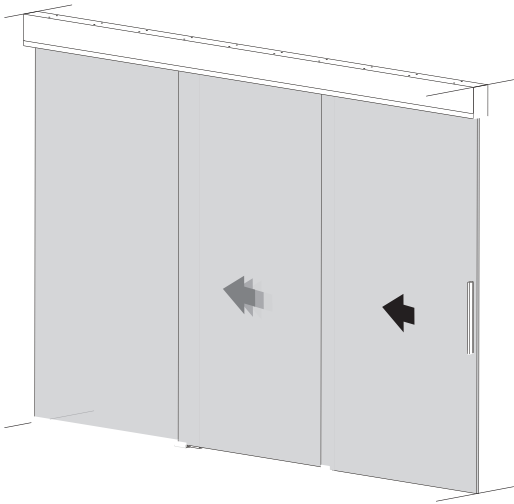
EXTENDO 2 DOORS WITH FIXED GLASS/ EXTENDO 2 HOJAS CON VIDRIO FIJO



**LEFT INSTALLATION/
INSTALACIÓN A IZQUIERDAS**



**RIGHT INSTALLATION/
INSTALACIÓN A DERECHAS**



$P = L + D$

$L = \frac{2}{3} P - 85 \text{ mm (3 3/8")}$

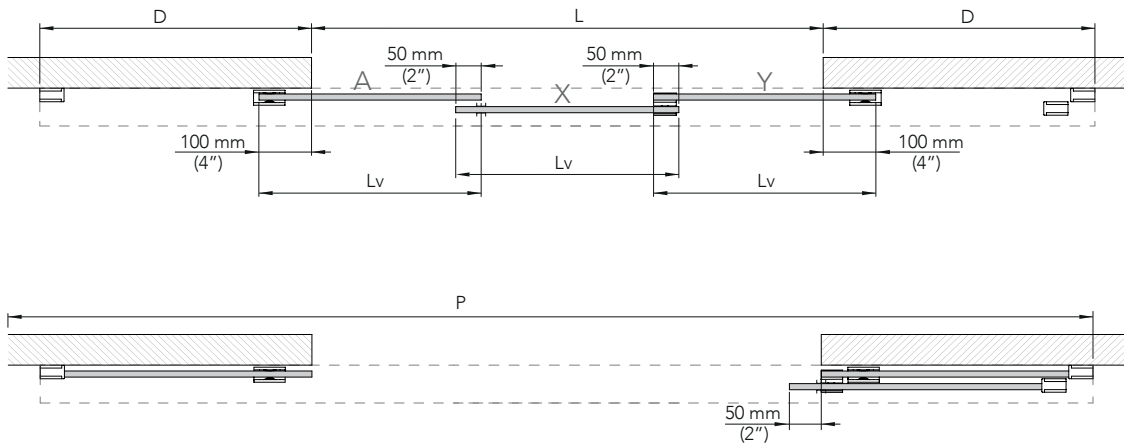
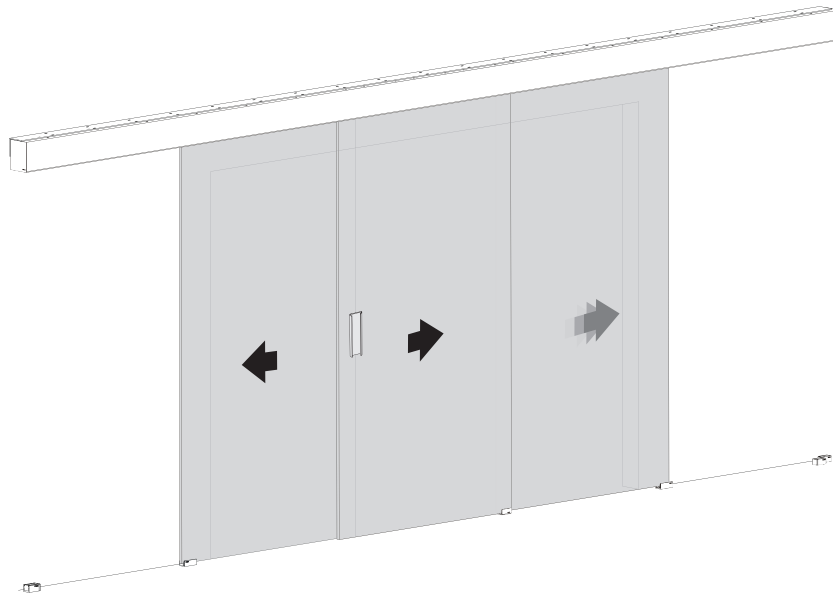
$D = \frac{L}{2} + 125 \text{ mm (4 15/16")}$

$L_v = \frac{L}{2} + 75 \text{ mm (2 15/16")}$

G	L	P
G1	1.300 - 1.550 mm / 51 1/4" - 61"	2.500 mm / 98"
G2	1.550 - 1.900 mm / 61" - 74 3/4"	3.000 mm / 118"
G3	1.900 - 2.200 mm / 74 3/4" - 86 5/8"	3.500 mm / 137"
G4	2.200 - 2.550 mm / 86 5/8" - 100 3/8"	4.000 mm / 157"

Dimensions that are in mm are exact; those in inches are approximate.

EXTENDO 3 DOORS WITHOUT FIXED GLASS/ EXTENDO 3 HOJAS SIN VIDRIO FIJO



$$P = 2D + L$$

$$L = \frac{3}{5} P - 180 \text{ mm (7 1/16")}$$

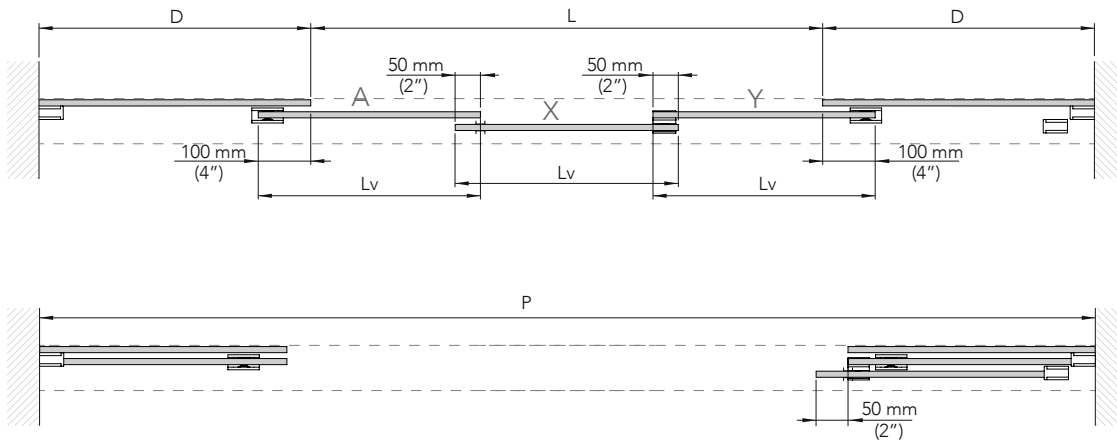
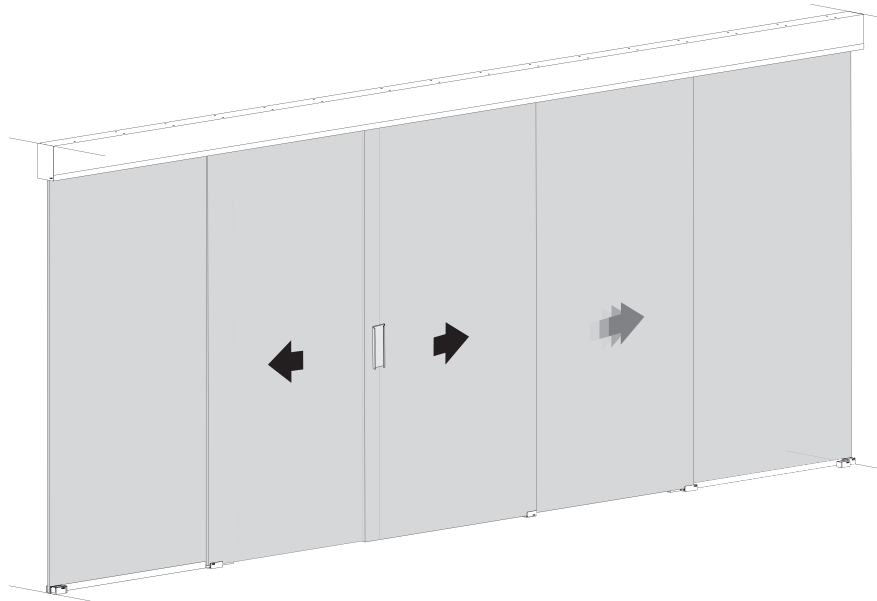
$$D = \frac{L}{3} + 150 \text{ mm (5 7/8")}$$

$$Lv = \frac{L}{3} + 100 \text{ mm (3 15/16")}$$

G	L	P
G1	1.725 - 2.175 mm / 67 7/8" - 85 5/8"	4.000 mm / 157"
G2	2.175 - 2.775 mm / 85 5/8" - 109 1/4"	5.000 mm / 196"

Dimensions that are in mm are exact; those in inches are approximate.

EXTENDO 3 DOORS WITH FIXED GLASS/ EXTENDO 3 HOJAS CON VIDRIO FIJO



$$P = 2D + L$$

$$L = \frac{3}{5} P - 180 \text{ mm (7 1/16")}$$

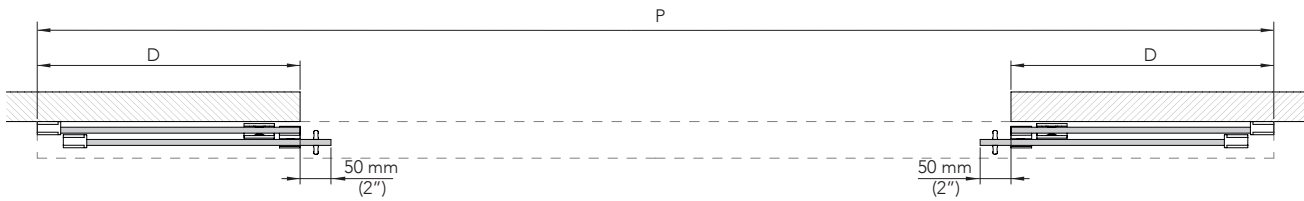
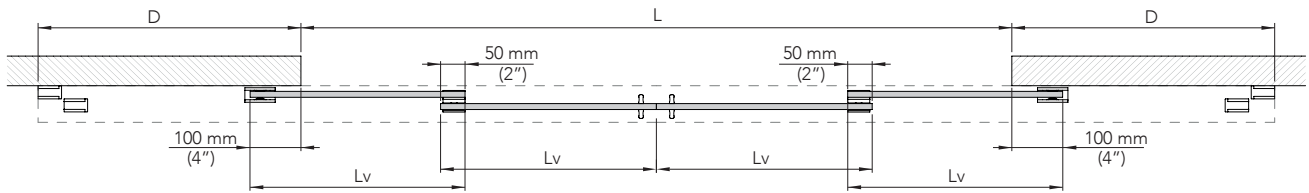
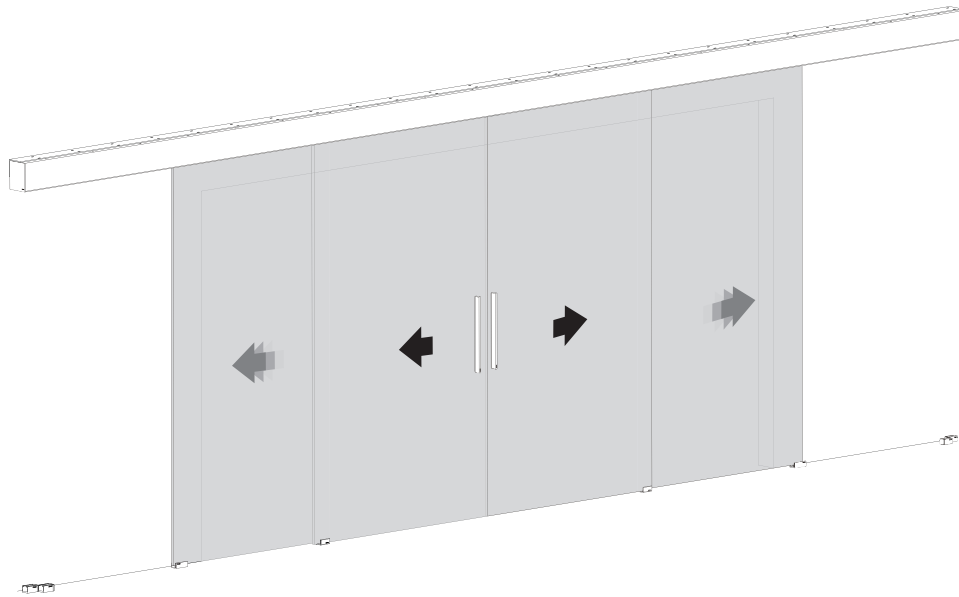
$$D = \frac{L}{3} + 150 \text{ mm (5 7/8")}$$

$$Lv = \frac{L}{3} + 100 \text{ mm (3 15/16")}$$

G	L	P
G1	1.725 - 2.175 mm / 67 7/8" - 85 5/8"	4.000 mm / 157"
G2	2.725 - 2.775 mm / 85 5/8" - 109 1/4"	5.000 mm / 196"

Dimensions that are in mm are exact; those in inches are approximate.

EXTENDO 4 DOORS WITHOUT FIXED GLASS/ EXTENDO 4 HOJAS SIN VIDRIO FIJO



$$P = L + 2 D$$

$$L = \frac{2}{3} P - 170 \text{ mm (6 11/16")}$$

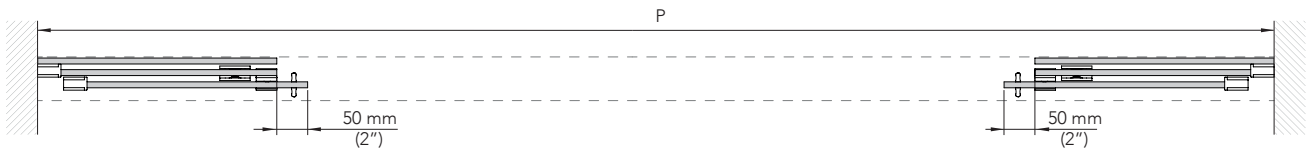
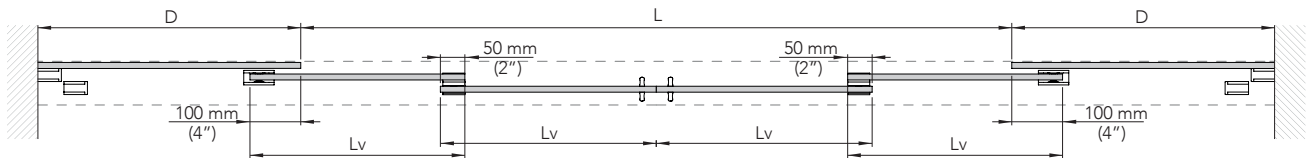
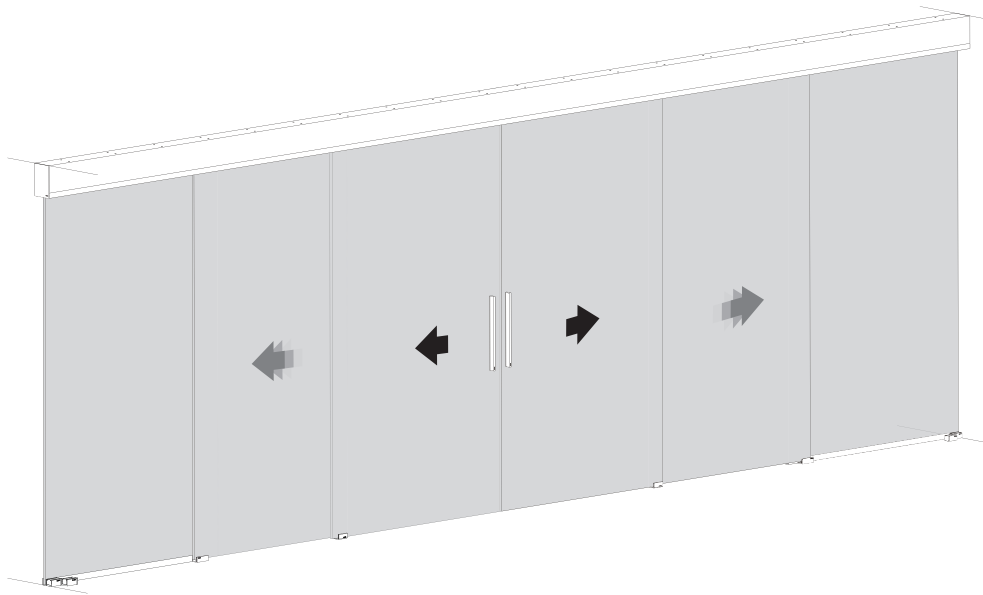
$$D = \frac{L}{4} + 125 \text{ mm (4 15/16")}$$

$$L_v = \frac{L}{4} + 75 \text{ mm (2 15/16")}$$

G	L	P
G1	2.400 - 3.100 mm / 94 1/2" - 122 1/16"	5.000 mm / 196"

Dimensions that are in mm are exact; those in inches are approximate.

EXTENDO 4 DOORS WITH FIXED GLASS/ EXTENDO 4 HOJAS CON VIDRIO FIJO



$$P = L + 2 D$$

$$L = \frac{2}{3} P - 170 \text{ mm (6 11/16")}$$

$$D = \frac{L}{4} + 125 \text{ mm (4 15/16")}$$

$$L_v = \frac{L}{4} + 75 \text{ mm (2 15/16")}$$

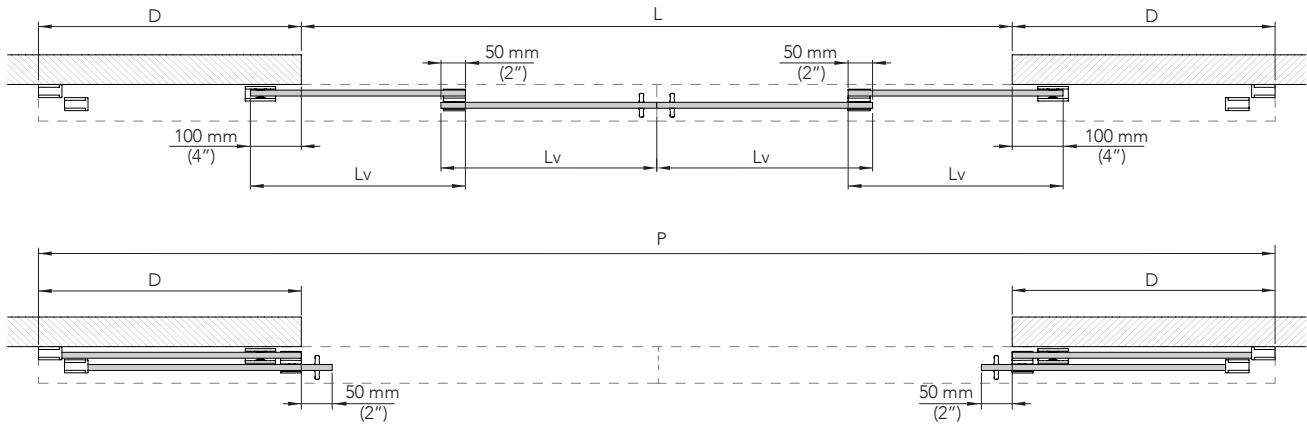
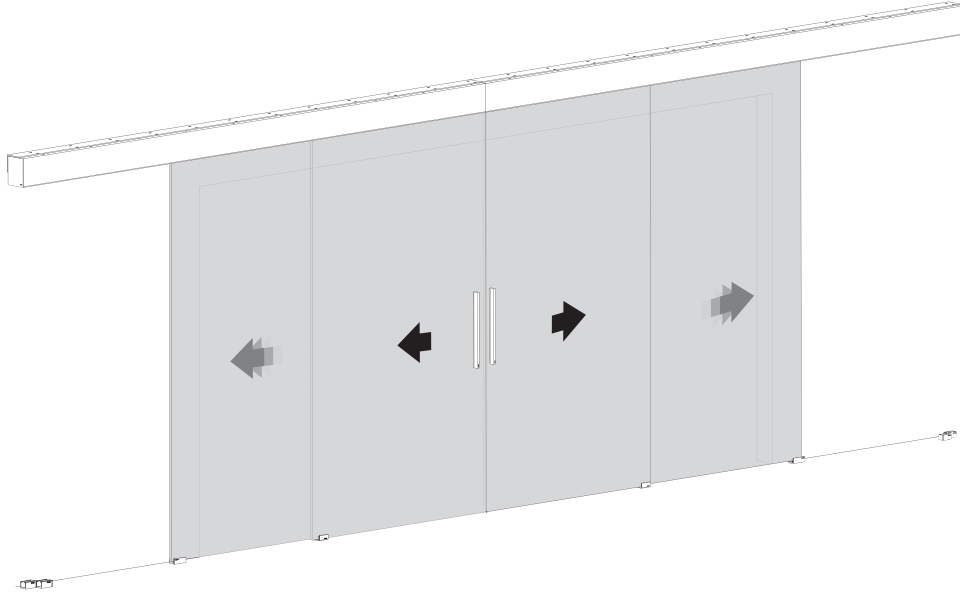
G	L	P
G1	2.400 - 3.100 mm / 94 1/2" - 122 1/16"	5.000 mm / 196"

Dimensions that are in mm are exact; those in inches are approximate.



EXTENDO 2+2 DOORS WITHOUT FIXED GLASS/ EXTENDO 2+2 HOJAS SIN VIDRIO FIJO

Installation consisting of an Extendo 2-doors left and an Extendo 2-doors right/
 Instalación formada por un Extendo 2 hojas a izquierdas y un Extendo 2 hojas a derechas.



$P = L + 2D$

$L = \frac{2}{3} P - 170 \text{ mm (6 11/16")}$

$D = \frac{L}{4} + 125 \text{ mm (4 15/16")}$

$L_v = \frac{L}{4} + 75 \text{ mm (2 15/16")}$

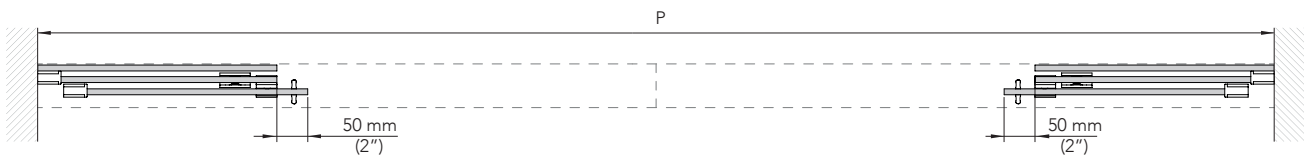
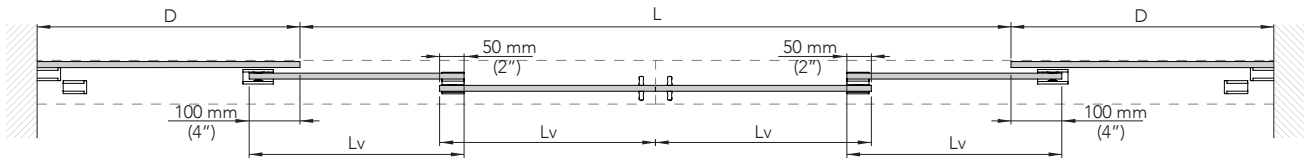
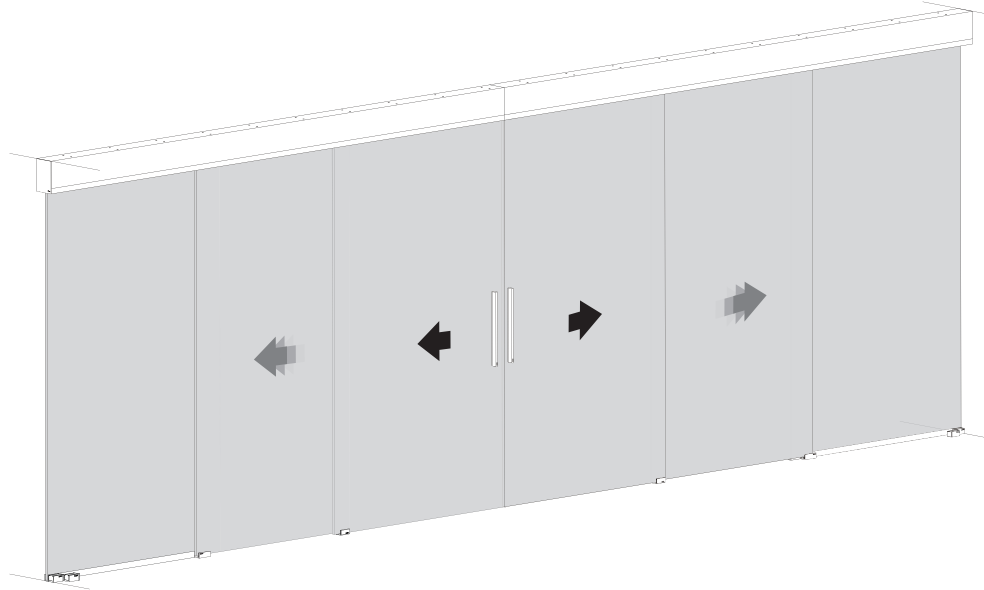
G	L	P
G1	2.500 - 3.100 mm / 98 7/16" - 122 1/16"	2.500 mm / 98"
G2	3.100 - 3.800 mm / 122 1/16" - 149 5/8"	3.000 mm / 118"
G3	3.800 - 4.400 mm / 149 5/8" - 173 1/4"	3.500 mm / 137"
G4	4.400 - 5.100 mm / 173 1/4" - 200 3/4"	4.000 mm / 157"

Dimensions that are in mm are exact; those in inches are approximate.



EXTENDO 2+2 DOORS WITH FIXED GLASS/ EXTENDO 2+2 HOJAS CON VIDRIO FIJO

Installation consisting of an Extendo 2-doors left and an Extendo 2-doors right/
 Instalación formada por un Extendo 2 hojas a izquierdas y un Extendo 2 hojas a derechas.



$$P = L + 2 D$$

$$L = \frac{2}{3} P - 170 \text{ mm (6 11/16")}$$

$$D = \frac{L}{4} + 125 \text{ mm (4 15/16")}$$

$$Lv = \frac{L}{4} + 75 \text{ mm (2 15/16")}$$

G	L	P
G1	2.500 - 3.100 mm / 98 7/16" - 122 1/16"	2.500 mm / 98"
G2	3.100 - 3.800 mm / 122 1/16" - 149 5/8"	3.000 mm / 118"
G3	3.800 - 4.400 mm / 149 5/8" - 173 1/4"	3.500 mm / 137"
G4	4.400 - 5.100 mm / 173 1/4" - 200 3/4"	4.000 mm / 157"

Dimensions that are in mm are exact; those in inches are approximate.

REFERENCES / REFERENCIAS

ENG

EXTENDO® SILVER		
Ref.	Description	Img.
1720	KIT EXTENDO 2 (3/8"-1/2") G1 SILVER 98" TRACK	A
1722	KIT EXTENDO 2 (3/8"-1/2") G2 SILVER 118" TRACK	A
1723	KIT EXTENDO 2 (3/8"-1/2") G3 SILVER 137" TRACK	A
1724	KIT EXTENDO 2 (3/8"-1/2") G4 SILVER 157" TRACK	A
1731	KIT EXTENDO 3 (3/8"-1/2") G1 SILVER 157" TRACK	B
1732	KIT EXTENDO 3 (3/8"-1/2") G2 SILVER 196" TRACK	B
1741	KIT EXTENDO 4 (3/8"-1/2") SILVER 196" TRACK	C
8262	SET UPPER TRACKS for FIXED GLASS EXTENDO 118"	D
8263	SET UPPER TRACKS for FIXED GLASS EXTENDO 157"	D
8264	SET UPPER TRACKS for FIXED GLASS EXTENDO 196"	D
8265	SET UPPER TRACKS for FIXED GLASS EXTEND 118" DROPPED CEILING	E
8266	SET UPPER TRACKS for FIXED GLASS EXTENDO 157" DROPPED CEILING	E
8267	SET UPPER TRACKS for FIXED GLASS EXTEND 196" DROPPED CEILING	E
1791	BOTTOM TRACK FOR FIXED GLASS EXTENDO SILVER 78"	F
1793	SET OF SHORT END CAPS EXTENDO SILVER	G
1794	SET OF LONG END CAPS EXTENDO SILVER	H
1771	SET OF STRAIGHT CONNECTORS EXTENDO	I
1770	SET OF CORNER CONNECTORS EXTENDO	J
1752	WALL FIXING TRACK EXTENDO SILVER 118"	K
1753	WALL FIXING TRACK EXTENDO SILVER 157"	K
1755	WALL FIXING TRACK EXTENDO SILVER 196"	K
1321	KIT SWING DOOR EXTENDO V1/2" LEFT SILVER	L
1322	KIT SWING DOOR EXTENDO V1/2" RIGHT SILVER	L
1750	EXTENDO EXTRA TRACKS FOR FIXED GLASS 78" SILVER	M
1751	EXTENDO EXTRA TRACKS FOR FIXED GLASS 157" SILVER	M
1762	EXTENDO EXTRA TRACKS FOR RECESSED FIXED GLASS 78" SILVER	N
1764	EXTENDO EXTRA TRACKS FOR RECESSED FIXED GLASS 157" SILVER	N
1790	SET OF HANDLES "L" EXTENDO	O
1797	SET OF HANDLES "U" EXTENDO	P

EXTENDO® BLACK		
Ref.	Description	Img.
1725	KIT EXTENDO 2 (3/8"-1/2") G1 BLACK 98" TRACK	Q
1726	KIT EXTENDO 2 (3/8"-1/2") G2 BLACK 118" TRACK	Q
1727	KIT EXTENDO 2 (3/8"-1/2") G3 BLACK 137" TRACK	Q
1728	KIT EXTENDO 2 (3/8"-1/2") G4 BLACK 157" TRACK	Q
1733	KIT EXTENDO 3 (3/8"-1/2") G1 BLACK 157" TRACK	R
1734	KIT EXTENDO 3 (3/8"-1/2") G2 BLACK 196" TRACK	R
1743	KIT EXTENDO 4 (3/8"-1/2") BLACK 196" TRACK	S
1766	TOP TRACKS FOR FIXED GLASS EXTENDO BLACK 118"	T
1767	TOP TRACKS FOR FIXED GLASS EXTENDO BLACK 157"	T
1768	TOP TRACKS FOR FIXED GLASS EXTENDO BLACK 196"	T
1786	RECESSED TOP TRACKS FOR FIXED GLASS EXTENDO BLACK 118"	U
1787	RECESSED TOP TRACKS FOR FIXED GLASS EXTENDO BLACK 157"	U
1788	RECESSED TOP TRACKS FOR FIXED GLASS EXTENDO BLACK 196"	U
1792	BOTTOM TRACK FOR FIXED GLASS EXTENDO BLACK 78"	V
1795	SET OF SHORT END CAPS EXTENDO BLACK	W
1796	SET OF LONG END CAPS EXTENDO BLACK	X
1325	KIT SWING DOOR EXTENDO V1/2" LEFT BLACK	Y
1326	KIT SWING DOOR EXTENDO V1/2" RIGHT BLACK	Y
1772	EXTENDO EXTRA TRACKS FOR FIXED GLASS 78" BLACK	Z
1774	EXTENDO EXTRA TRACKS FOR FIXED GLASS 157" BLACK	Z
1782	EXTENDO EXTRA TRACKS FOR RECESSED FIXED GLASS 78" BLACK	AA
1784	EXTENDO EXTRA TRACKS FOR RECESSED FIXED GLASS 157" BLACK	AA

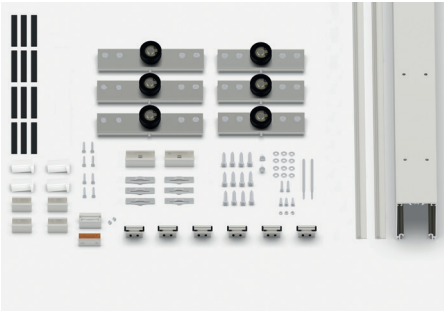
ESP

EXTENDO® SILVER		
Ref.	Descripción	Img.
1720	KIT EXTENDO 2 (3/8"-1/2") G1 SILVER 98"	A
1722	KIT EXTENDO 2 (3/8"-1/2") G2 SILVER 118"	A
1723	KIT EXTENDO 2 (3/8"-1/2") G3 SILVER 137"	A
1724	KIT EXTENDO 2 (3/8"-1/2") G4 SILVER 157"	A
1731	KIT EXTENDO 3 (3/8"-1/2") G1 SILVER 157"	B
1732	KIT EXTENDO 3 (3/8"-1/2") G2 SILVER 196"	B
1741	KIT EXTENDO 4 (3/8"-1/2") SILVER 196"	C
8262	JGO. PFS. SUPERIOR PARA EXTENDO VIDRIO FIJO 118"	D
8263	JGO. PFS. SUPERIOR PARA EXTENDO VIDRIO FIJO 157"	D
8264	JGO. PFS. SUPERIOR PARA EXTENDO VIDRIO FIJO 196"	D
8265	JGO. PFS. FALSO TECHO PARA EXTENDO VIDRIO FIJO 118"	E
8266	JGO. PFS. FALSO TECHO PARA EXTENDO VIDRIO FIJO 157"	E
8267	JGO. PFS. FALSO TECHO PARA EXTENDO VIDRIO FIJO 196"	E
1791	PF. INFERIOR PARA VIDRIO FIJO EXTENDO SILVER 78"	F
1793	JGO. TAPAS CORTAS EXTENDO SILVER	G
1794	JGO. TAPAS LARGAS EXTENDO SILVER	H
1771	JGO. ALINEADOR RECTO EXTENDO	I
1770	JGO. ALINEADOR CORNER EXTENDO	J
1752	PF. SOPORTE PARED EXTENDO SILVER 118"	K
1753	PF. SOPORTE PARED EXTENDO SILVER 157"	K
1755	PF. SOPORTE PARED EXTENDO SILVER 196"	K
1321	KIT SWING DOOR EXTENDO V1/2" IZQUIERA SILVER	L
1322	KIT SWING DOOR EXTENDO V1/2" DERECHA SILVER	L
1750	EXTENDO PF. EXTRA PARA VIDRIO FIJO 78" SILVER	M
1751	EXTENDO PF. EXTRA PARA VIDRIO FIJO 157" SILVER	M
1762	EXTENDO PF. EXTRA PARA VIDRIO FIJO FALSO TECHO 78" SILVER	N
1764	EXTENDO PF. EXTRA PARA VIDRIO FIJO FALSO TECHO 157" SILVER	N
1790	JUEGO DE TIRADORES "L" EXTENDO	O
1797	JUEGO DE TIRADORES "U" EXTENDO	P

EXTENDO® NEGRO		
Ref.	Descripción	Img.
1725	KIT EXTENDO 2 (3/8"-1/2") G1 NEGRO 98"	Q
1726	KIT EXTENDO 2 (3/8"-1/2") G2 NEGRO 118"	Q
1727	KIT EXTENDO 2 (3/8"-1/2") G3 NEGRO 137"	Q
1728	KIT EXTENDO 2 (3/8"-1/2") G4 NEGRO 157"	Q
1733	KIT EXTENDO 3 (3/8"-1/2") G1 NEGRO 157"	R
1734	KIT EXTENDO 3 (3/8"-1/2") G2 NEGRO 196"	R
1743	KIT EXTENDO 4 (3/8"-1/2") NEGRO 196"	S
1766	JGO. PFS. SUPERIOR PARA EXTENDO VIDRIO FIJO 118" NEGRO	T
1767	JGO. PFS. SUPERIOR PARA EXTENDO VIDRIO FIJO 157" NEGRO	T
1768	JGO. PFS. SUPERIOR PARA EXTENDO VIDRIO FIJO 196" NEGRO	T
1786	JGO. PFS. FALSO TECHO PARA EXTENDO VIDRIO FIJO 118" NEGRO	U
1787	JGO. PFS. FALSO TECHO PARA EXTENDO VIDRIO FIJO 157" NEGRO	U
1788	JGO. PFS. FALSO TECHO PARA EXTENDO VIDRIO FIJO 196" NEGRO	U
1792	PF. INFERIOR PARA VIDRIO FIJO EXTENDO NEGRO 78" NEGRO	V
1795	JGO. TAPAS CORTAS EXTENDO NEGRO	W
1796	JGO. TAPAS LARGAS EXTENDO NEGRO	X
1325	KIT SWING DOOR EXTENDO V1/2" IZQUIERDA NEGRO	Y
1326	KIT SWING DOOR EXTENDO V1/2" DERECHA NEGRO	Y
1772	EXTENDO PF. EXTRA PARA VIDRIO FIJO 78" NEGRO	Z
1774	EXTENDO PF. EXTRA PARA VIDRIO FIJO 157" NEGRO	Z
1782	EXTENDO PF. EXTRA PARA VIDRIO FIJO FALSO TECHO 78" NEGRO	AA
1784	EXTENDO PF. EXTRA PARA VIDRIO FIJO FALSO TECHO 157" NEGRO	AA



A



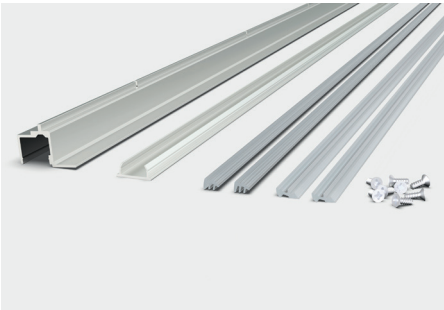
B



C



D



E



F



G



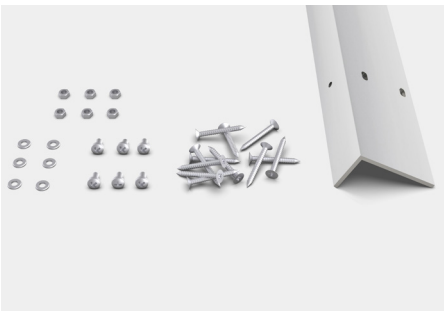
H



I



J



K



L



M



N



O



P



Q



R



S



T



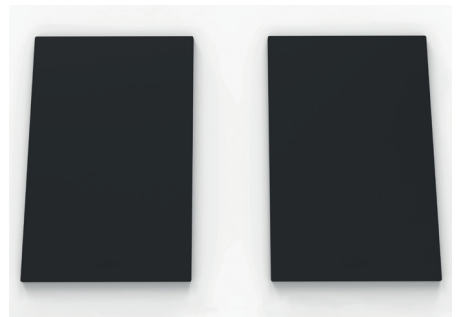
U



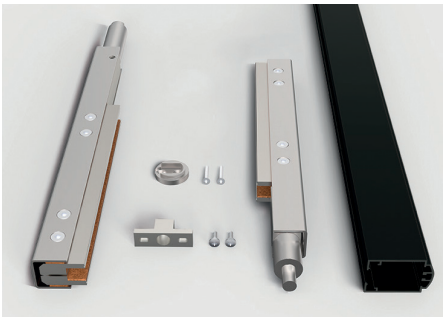
V



W



X



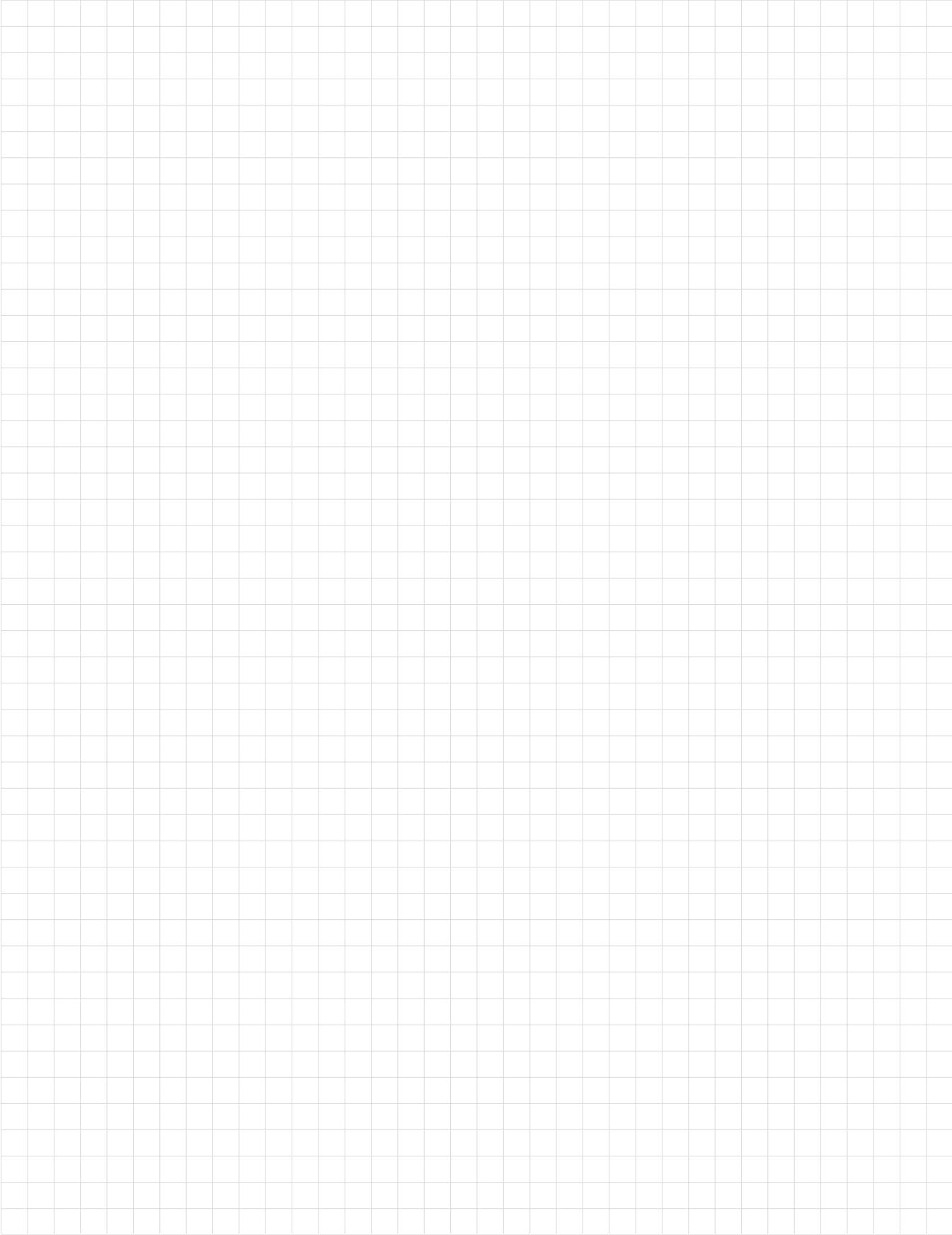
Y

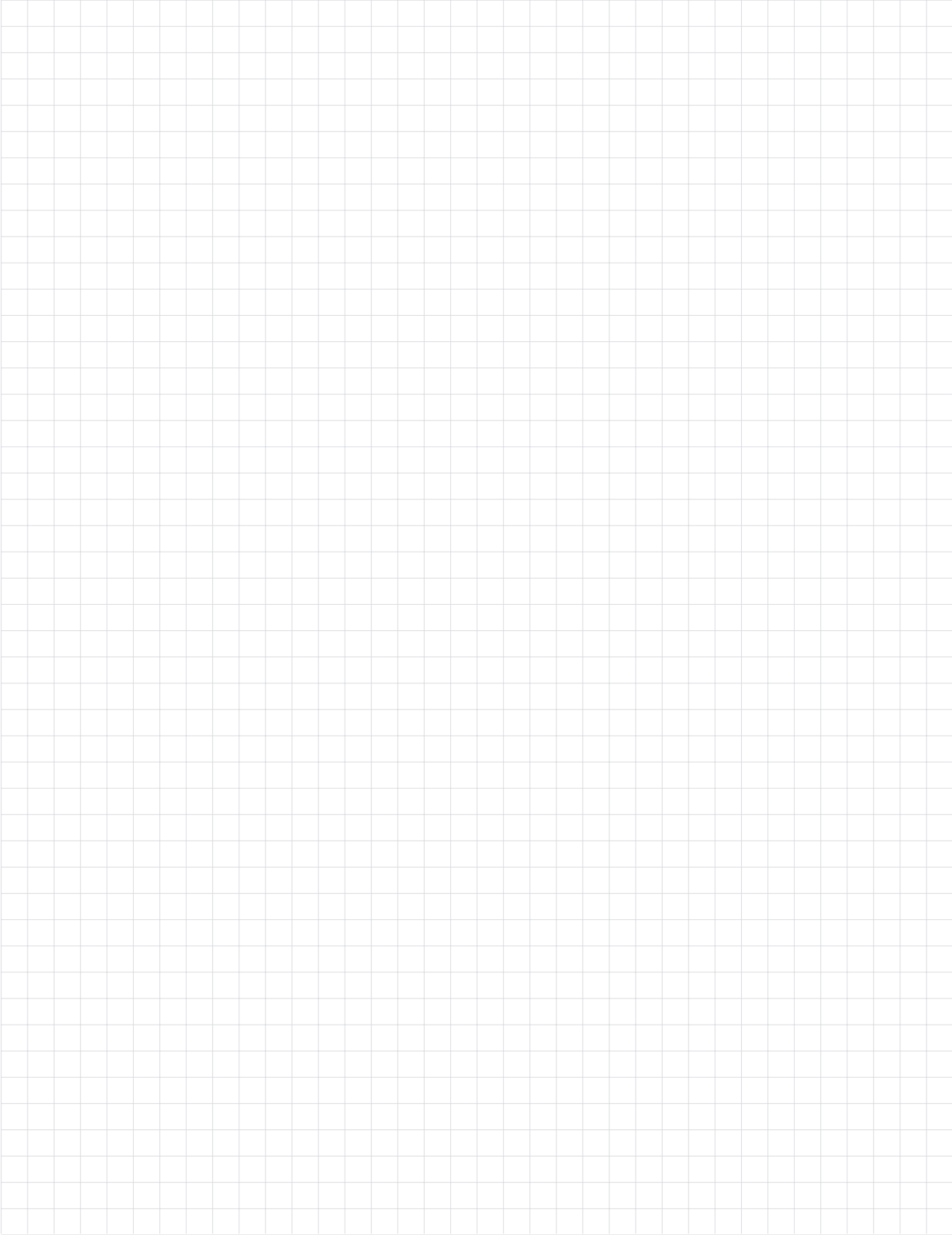


Z



AA





KLEIN

KLEIN USA, Inc.®
1 Madison Street
East Rutherford, NJ 07073

Phone: 973 246 8181
Fax: 973 246 8362
info@klein-usa.com
www.klein-usa.com

Follow us on social media
Síguenos en redes

