

KLEIN

Wooden-Metal Door

SLID

Wooden-Metal Sliding Door
Puerta Corredera de Madera-Metal



SLID POCKET



SLID S

ENG

Slid is designed to divide space through single, bi-parting or bi-passing wooden or metal doors. This system optimizes clearance and provides a minimalist design for high-end residential, commercial and hospitality projects.

- Ideal for kitchen, bedroom, bathroom entrances, lounges, offices, etc.
- Minimalist design with a compact track holding panels up to 10' high.
- Several mounting options with exposed, recessed or pocket applications.
- Conventional surface mounted system (Slid S) or mortised system (Slid Retrac).
- Clear opening free of floor tracks.
- Minimal gap between the door and the wall to enhance aesthetic and acoustical features.
- Installations with doors up to 330lbs from 1 3/8" thick door.
- Clear anodized aluminium finish.
- Ball bearing system for quiet and soft opening.
- Stopper-brake for optimum closing.
- Soft closing system: KSC, Klein Soft Closing. Optional system.

Systems tested up to 100.000 cycles as per European standard EN1527.

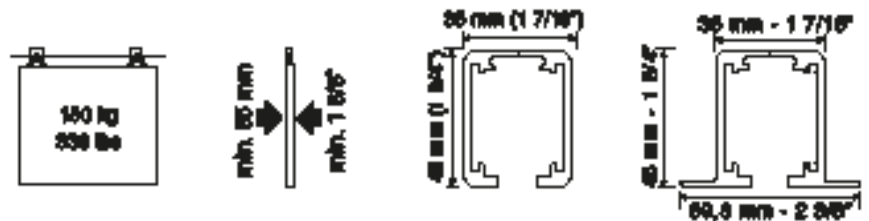
ESP

Slid está diseñado para dividir ambientes a través de puerta(s) de madera o de metal generando una luz de paso óptima consiguiendo un diseño minimalista para obras de calidad.

- Ideal para separación de cocinas, salones, baños, habitaciones, oficinas...
- Sistema compacto para diseño minimalista que soporta puertas hasta 10' de alto.
- Aplicación con perfil visto, empotrado o entre tabiques.
- Sistema de ajuste horizontal tradicional con galería de aluminio o ajuste vertical con herrajes empotrados (Retrac).
- Zona de paso limpia sin riel en el suelo.
- Mínima separación entre el vidrio y la pared garantiza una aplicación estética.
- Instalación para puertas de 3/8" de grosor y hasta 330 lbs.
- Perfil de aluminio anodizado "Silver" (AA10 ISO 7599, 10 micras).
- Topes retenedores para un cierre óptimo.
- Instalación a pared, a techo o a falso techo.
- Sistema de frenado de la puerta: KSC, Klein Soft Closing, detención suave controlada. Sistema opcional.

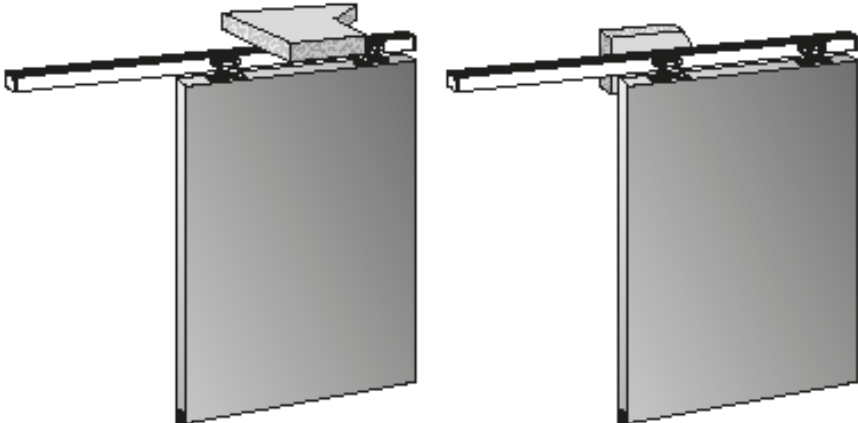
Sistemas testados hasta 100.000 ciclos según la norma EN1527.

SLID 150



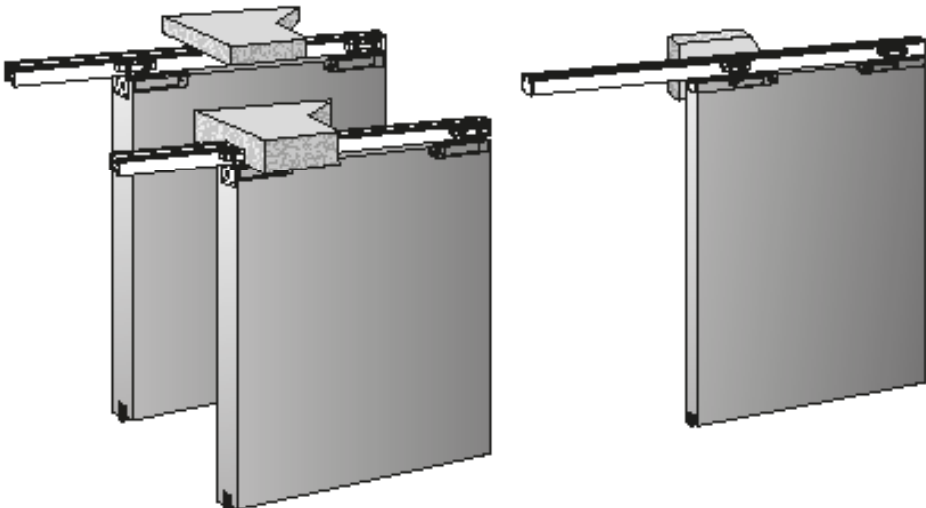
SLID S

SURFACE MOUNTED HARDWARE



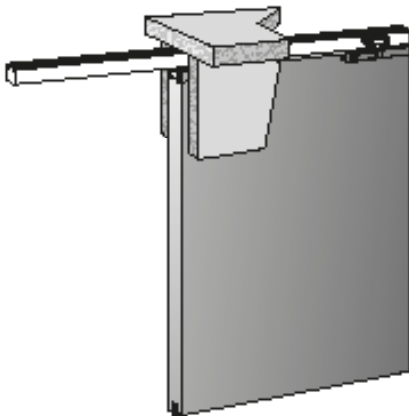
SLID RETRAC

RECESSED HARDWARE



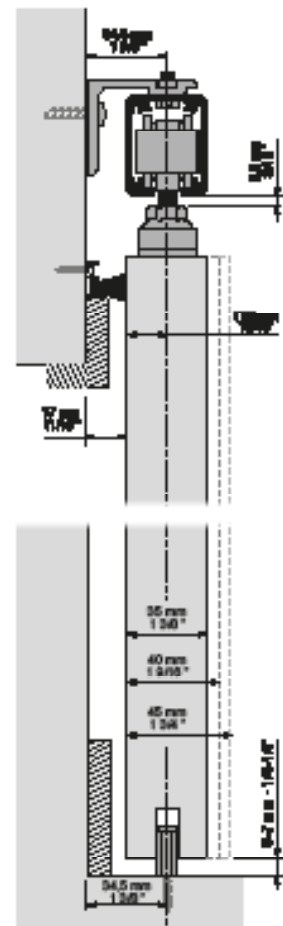
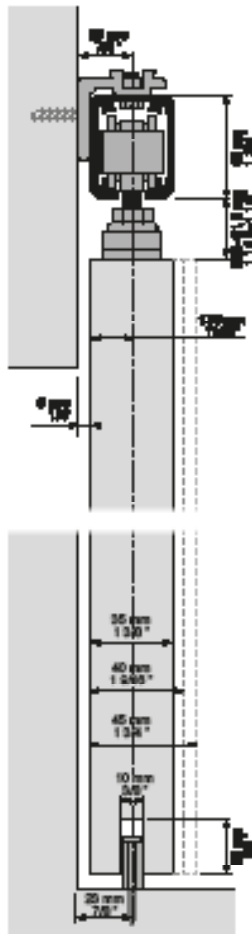
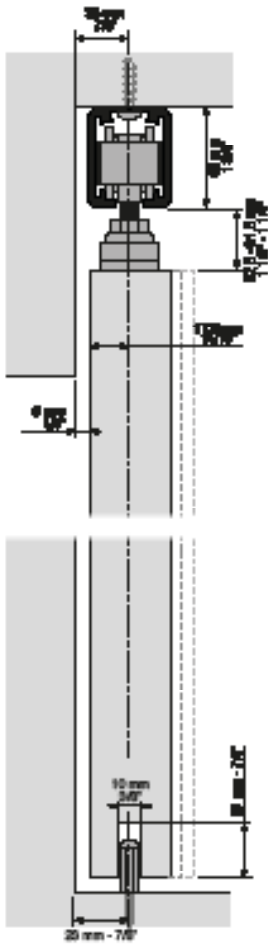
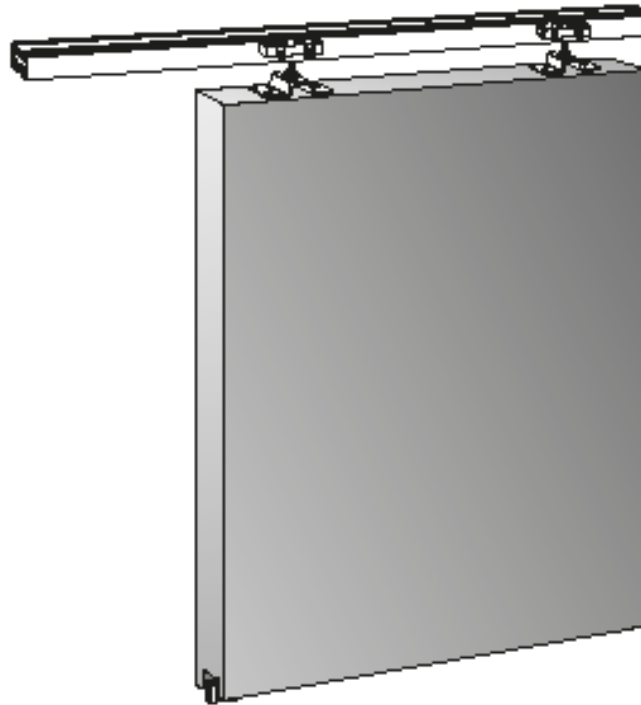
SLID POCKET

RECESSED HARDWARE

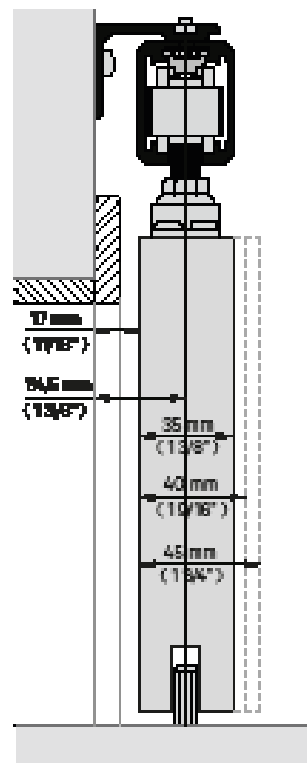
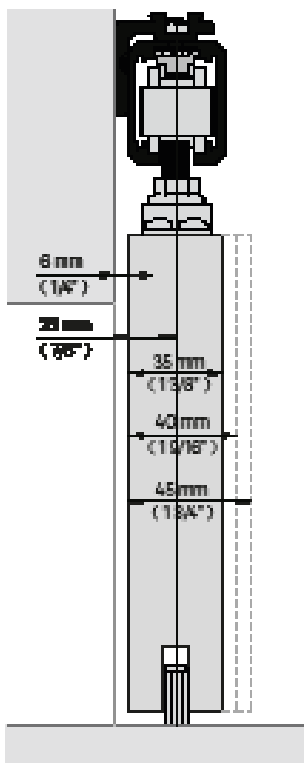
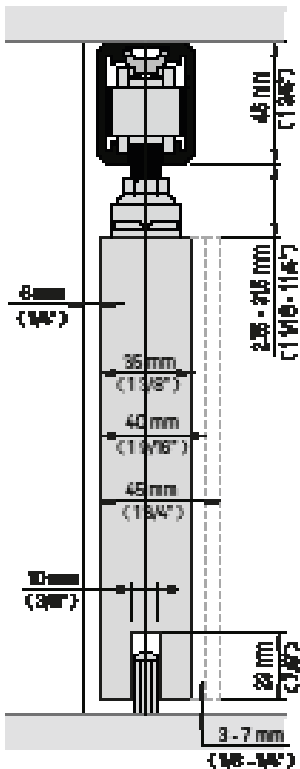
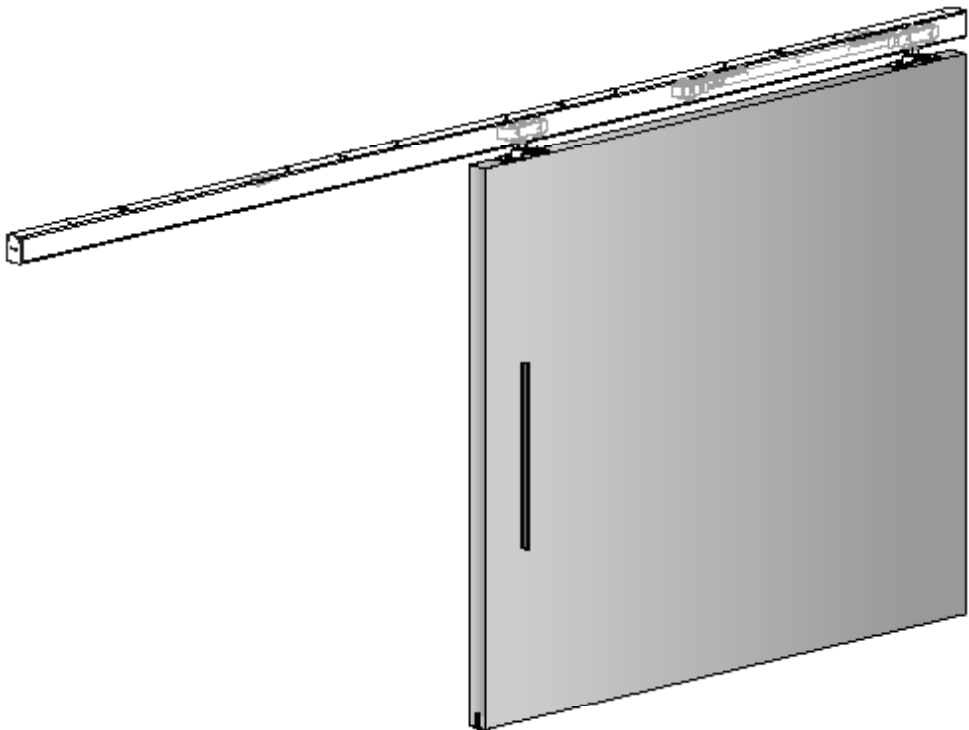


Dimensions that are in mm are exact; those in inches are approximate.

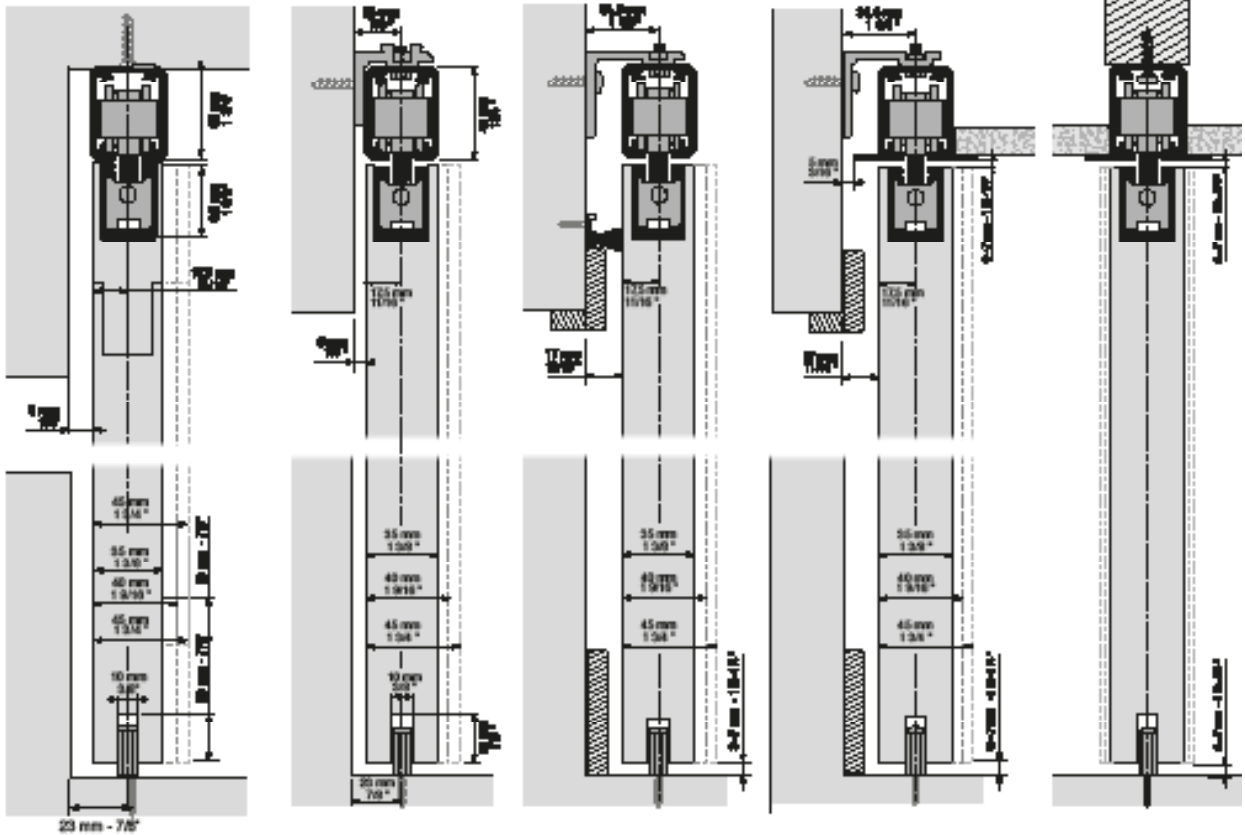
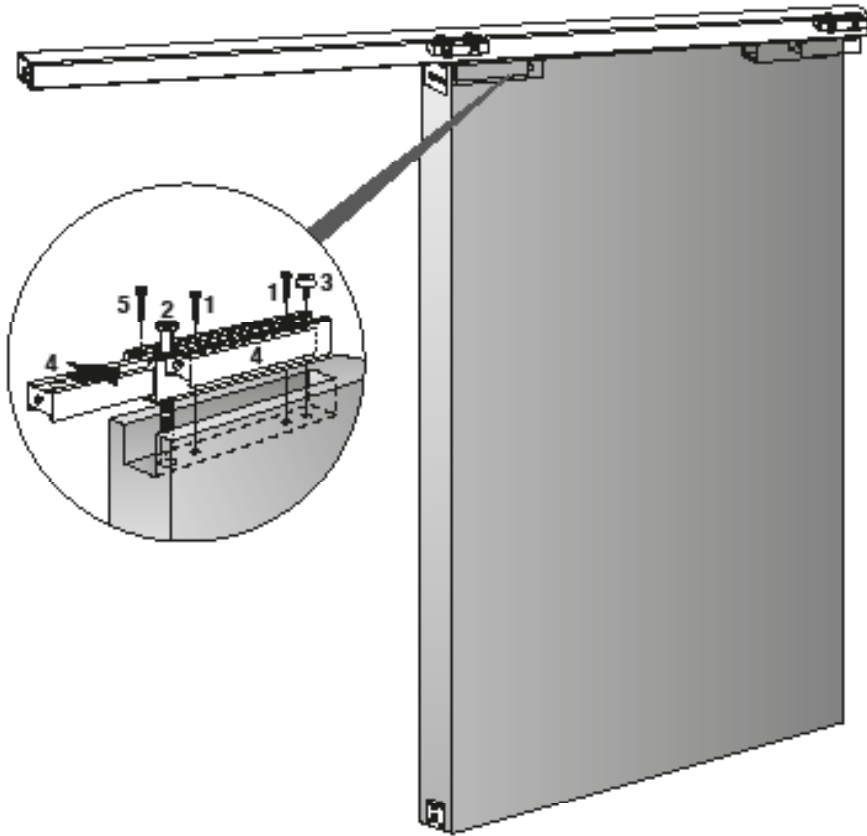
SLID 150 S



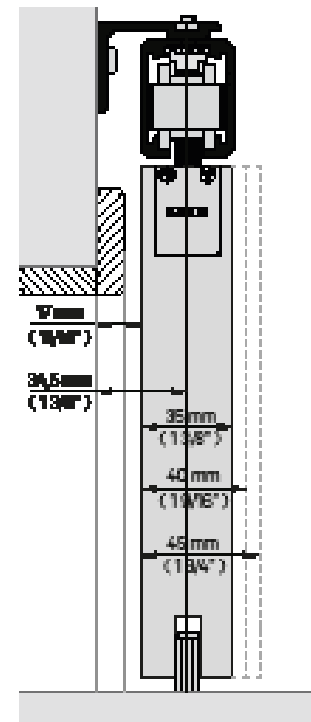
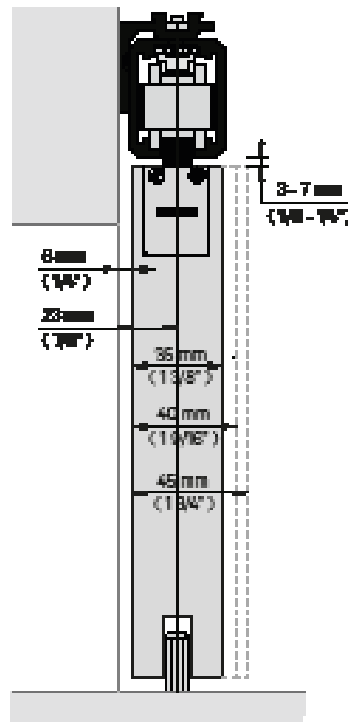
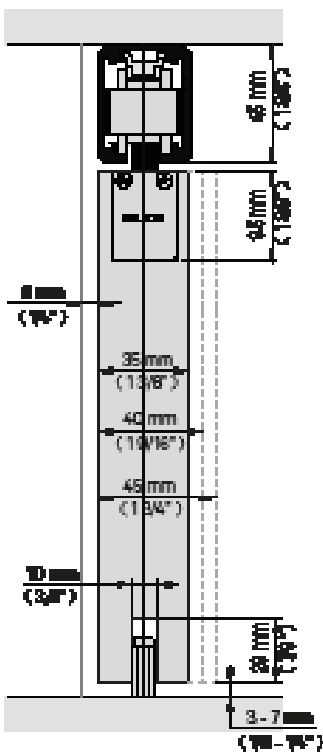
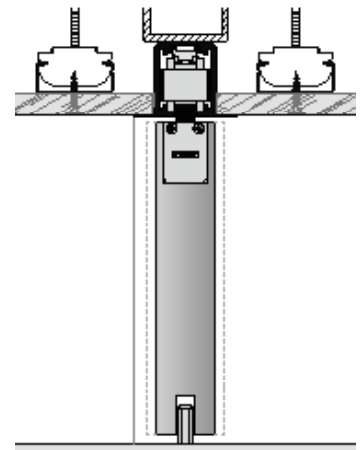
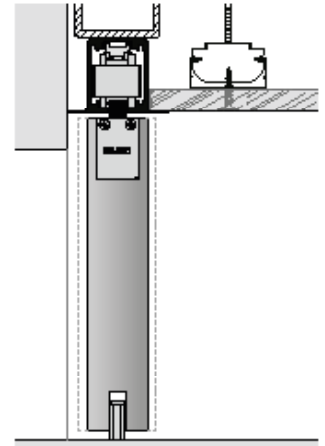
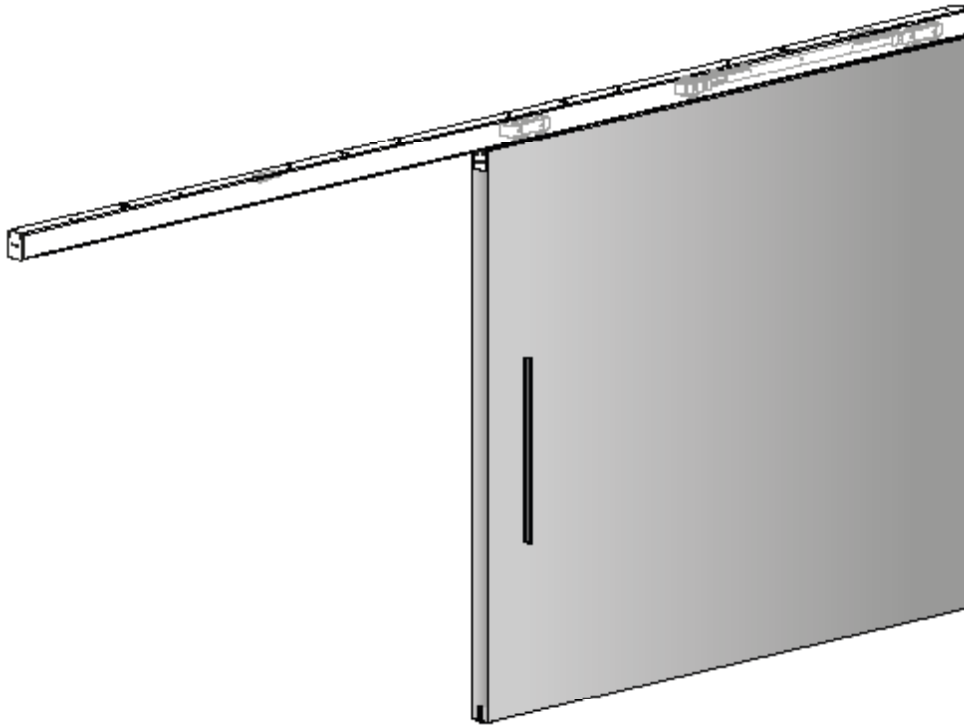
SLID 150 KSC S



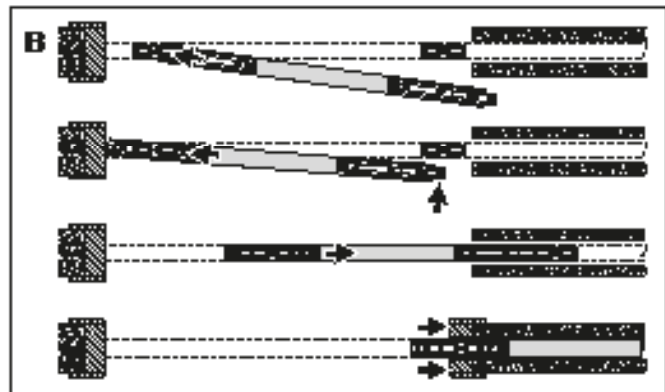
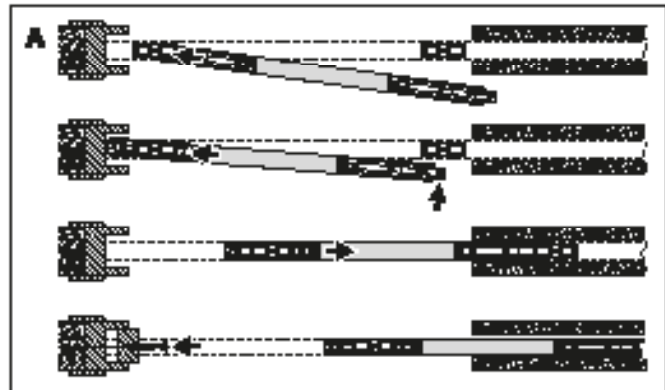
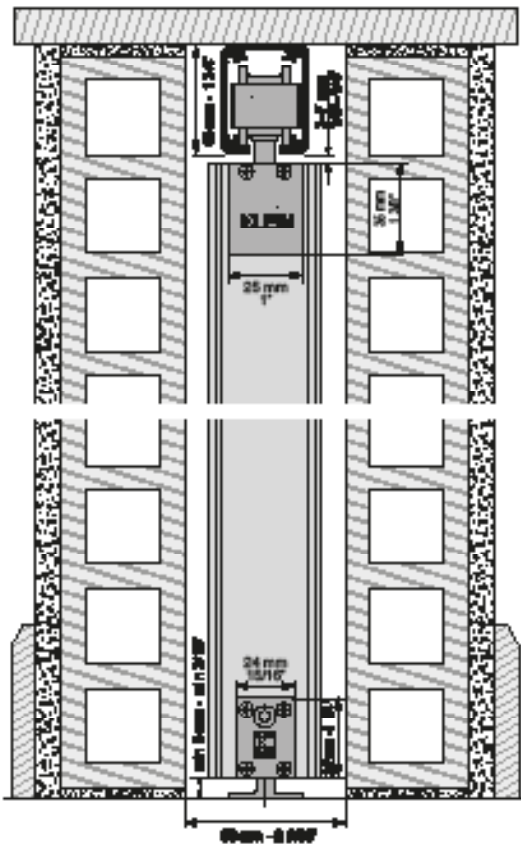
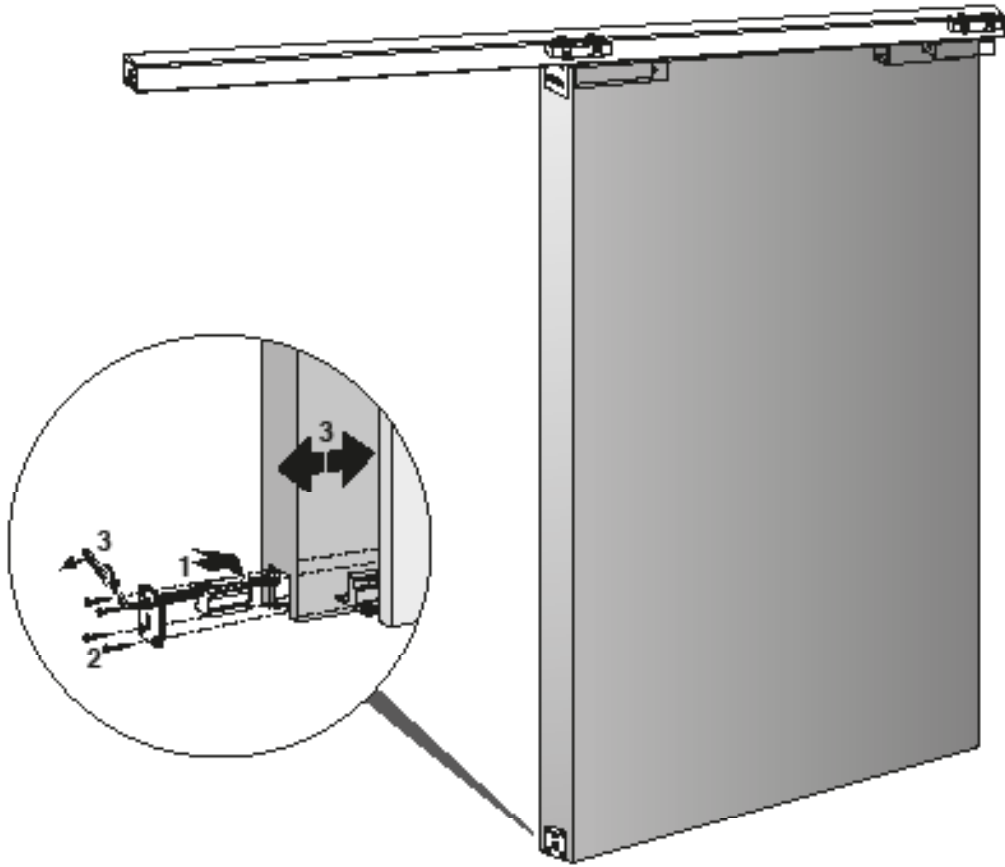
SLID 150 RETRAC



SLID 150 KSC RETRAC



SLID 150 POCKET



REFERENCES / REFERENCIAS

ENG

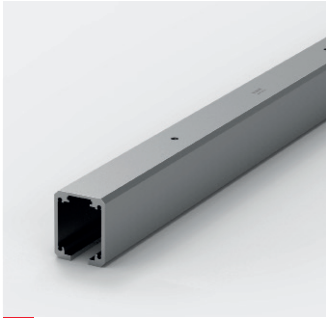
SLID 150 (330 lbs)		
Ref.	Description	Img.
8675	WALL BRACKETS 1/5" FROM THE WALL	G
8676	WALL BRACKETS 11/16" FROM THE WALL	F
8813	KIT SLID 150 S 118" TRACK	A+C+H
8814	KIT SLID 150 S 157" TRACK	A+C+H
8823	KIT SLID 150 RETRAC 118" TRACK	A+D+H
8824	KIT SLID 150 RETRAC 157" TRACK	A+D+H
8835	KIT SLID TOP 150 RETRAC 118" TRACK	B+D
8836	KIT SLID TOP 150 RETRAC 157" TRACK	B+D
8833	KIT SLID 150 POCKET 118" TRACK	E
8834	KIT SLID 150 POCKET 157" TRACK	E
2808	SET OF ACC. SLID+ 150 KSC SUPERIOR	I
2809	SET OF ACC. SLID+ 150 KSC RETRAC	J

SLID 150 KSC		
Ref.	Description	Img.
8883	KIT SLID+ 150 KSC CELILING MOUNTED 118"	A+I
8884	KIT SLID+ 150 KSC CELILING MOUNTED 157"	A+I
8893	KIT SLID+ 150 KSC RETRAC 118"	A+J
8894	KIT SLID+ 150 KSC RETRAC 157"	A+J
8895	KIT SLID+ 150 KSC TOP RETRAC 118"	B+J
8896	KIT SLID+ 150 KSC TOP RETRAC 157"	B+J
8808	SET ACC. SLID+ 150 KSC SUPERIOR	I
8809	SET ACC. SLID+ 150 KSC RETRAC	J

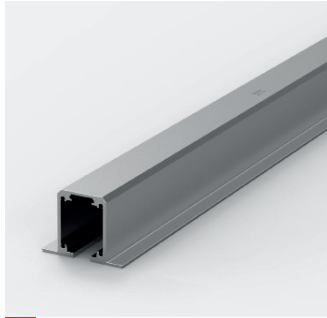
ESP

SLID 150 (330 lbs)		
Ref.	Descripción	Img.
8675	SOPORTE PARED 1/5"	G
8676	SOPORTE PARED 11/16"	F
8813	KIT SLID 150 S PERFIL 118"	A+C+H
8814	KIT SLID 150 S PERFIL 157"	A+C+H
8823	KIT SLID 150 RETRAC PERFIL 118"	A+D+H
8824	KIT SLID 150 RETRAC PERFIL 157"	A+D+H
8835	KIT SLID TOP 150 RETRAC PERFIL 118"	B+D
8836	KIT SLID TOP 150 RETRAC PERFIL 157"	B+D
8833	KIT SLID 150 POCKET PERFIL 118"	E
8834	KIT SLID 150 POCKET PERFIL 157"	E
2808	JGO. ACC. SLID+ 150 KSC SUPERIOR	I
2809	JGO. ACC. SLID+ 150 KSC RETRAC	J

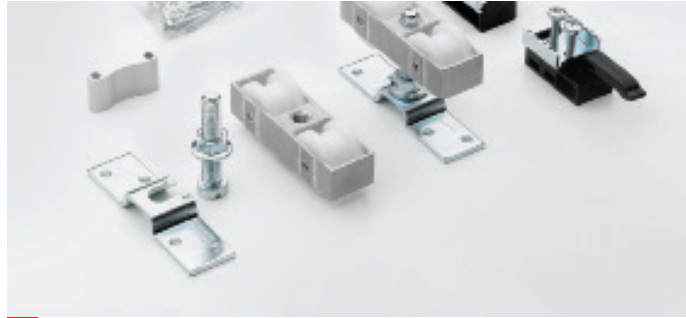
SLID 150 KSC		
Ref.	Descripción	Img.
8883	KIT SLID+ 150 KSC SUPERIOR 118"	A+I
8884	KIT SLID+ 150 KSC SUPERIOR 157"	A+I
8893	KIT SLID+ 150 KSC RETRAC 118"	A+J
8894	KIT SLID+ 150 KSC RETRAC 157"	A+J
8895	KIT SLID+ 150 KSC TOP RETRAC 118"	B+J
8896	KIT SLID+ 150 KSC TOP RETRAC 157"	B+J
8808	JGO. ACC. SLID+ 150 KSC SUPERIOR	I
8809	JGO. ACC. SLID+ 150 KSC RETRAC	J



A



B



C



D



E



F



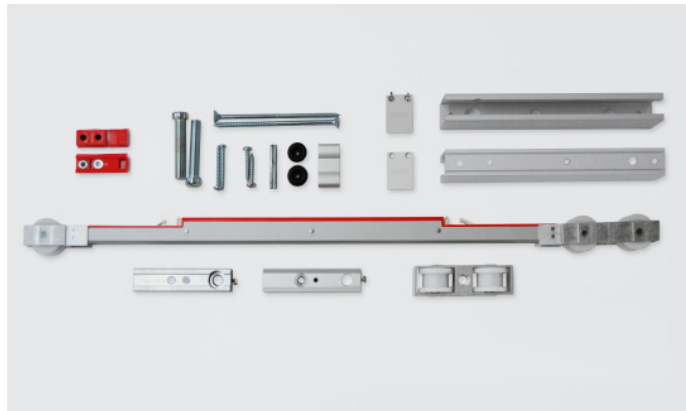
G



H



I



J

KLEIN

KLEIN USA, Inc.®
1 Madison Street
East Rutherford, NJ 07073

Phone: 973 246 8181
Fax: 973 246 8362
info@klein-usa.com
www.klein-usa.com

Follow us on social media
Síguenos en redes

